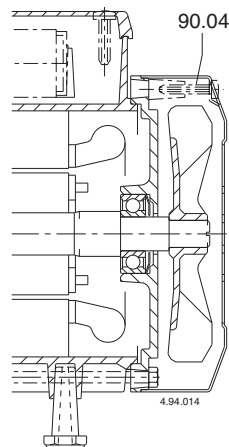
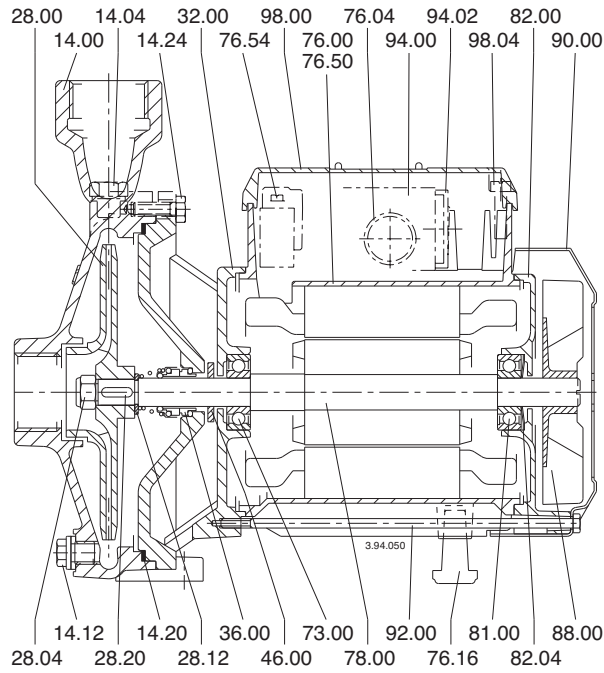


NM 1/AE NM4 25/12AE
 NM 2/SE-BE
 NM 25/12AE-BE

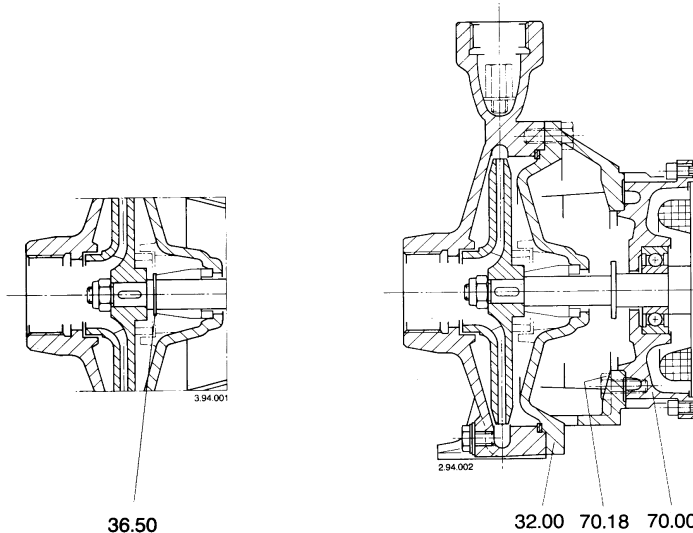
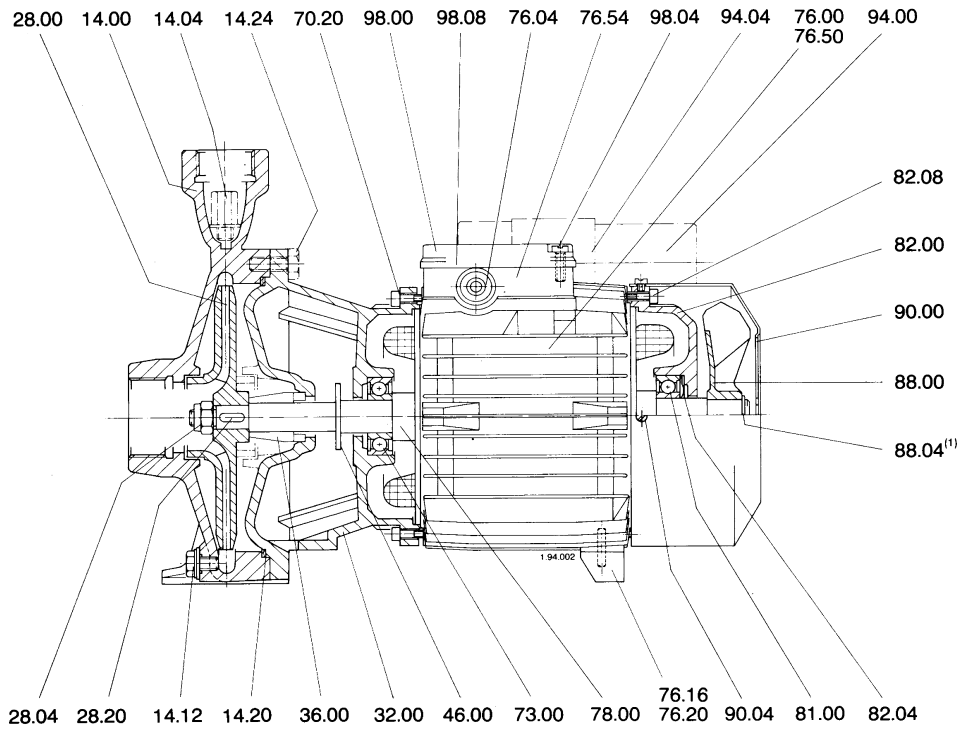


NM 2..
 NM 25/12..
 NM4 25/12..

Sezione - Cross section - Schnittzeichnung - Section - Sección - Sektion

NM-NM4

NM 3..	NM 20/160..	NM4 25/160..	B-NM 17..	I-B-NM4 25/160..
NM 10..	NM 25/160..	NM4 25/200..	B-NM 20/160..	I-B-NM4 25/200..
NM 11..	NM 25/20..		B-NM 25/125..	
NM 12..			B-NM 25/160..	
NM 17..			I-B-NM 25/200..	



NM 10..
 NM 11..
 NM 12/DE
 NM 17/FE-GE-HE
 NM 25/20BE

B-NM 20/160..
 B-NM 25/160..
 I-B-NM 25/200..
 I-B-NM4 25/200..

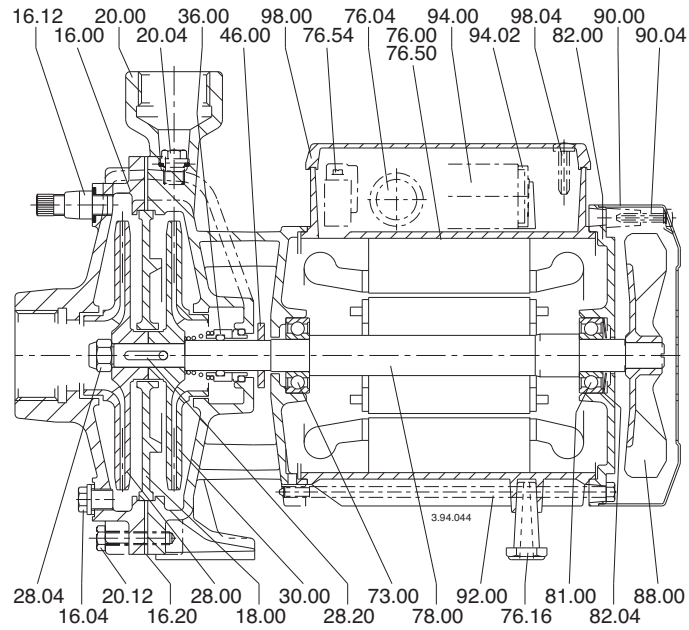
(1) Solo nei tipi
 Only for types
 Nur für Baugrößen
 Seulement pour les types
 Solo en los tipos
 Endast type

NM 12/AE-CE
 NM 17/DE
 NM 25/20SE-AE
 I-B-NM 25/200SE-AE

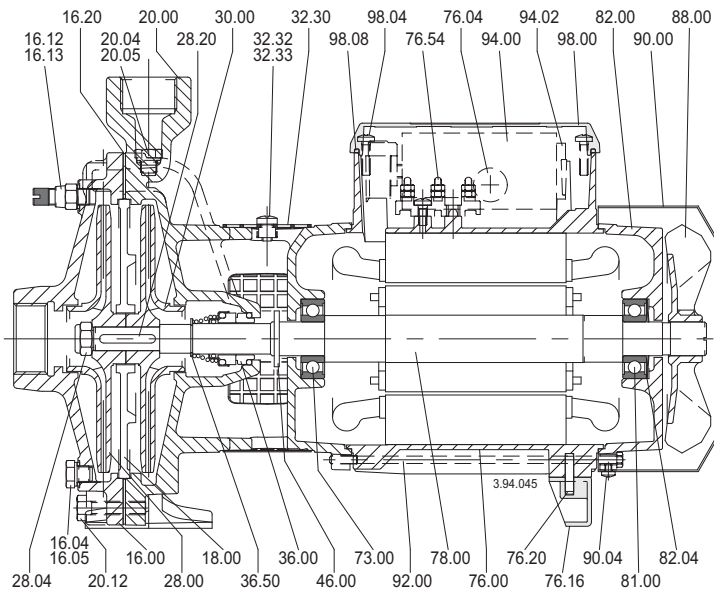
NMD 20/110AE-ZE-BE
NMD 20/140AE-BE

B-NMD 20/110AE-ZE-BE
B-NMD 20/140AE-BE

NMD 20/110AE-ZE-BE
B-NMD 20/110AE-ZE-BE



NMD 20/140AE-BE
B-NMD 20/140AE-BE

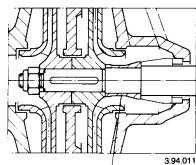
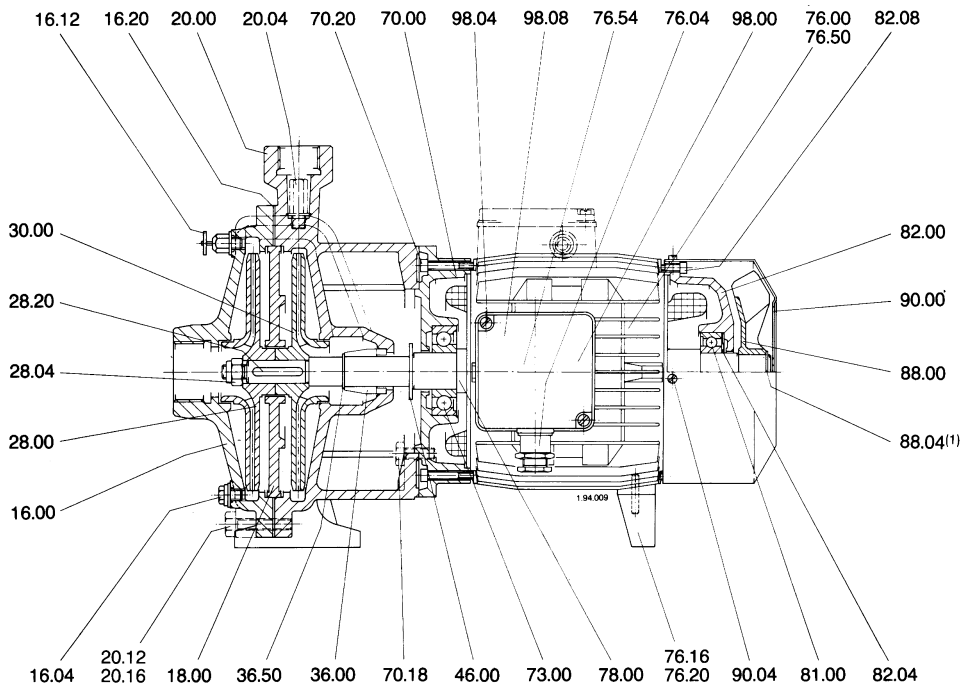


NMD 25/190A-B-C-AE-BE-CE

B-NMD 25/190A-B-C-AE-BE-CE

I-NMD 20/140A-B-AE-BE

I-NMD 25/190A-B-C-AE-BE-CE



36.54

⁽¹⁾ Solo nei tipi
Only for types
Nur für Baugrößen
Seulement pour les types
Solo en los tipos
Endast typ

I-NMD 20/140A-B-AE-BE
I-NMD 25/190A-B-C-AE-BE-CE

NMD 25/190A-B-AE-BE
B-NMD 25/190A-B-AE-BE
I -NMD 25/190A-B-AE-BE

NMD 32/210A-B-C-D
NMD 40/180A-B-C-D

B-NMD 32/210A-B-C-D
B-NMD 40/180A-B-C-D

I-NMD 32/210A-B-C-D
I-NMD 40/180A-B-C-D

